

For. Agr. Srl

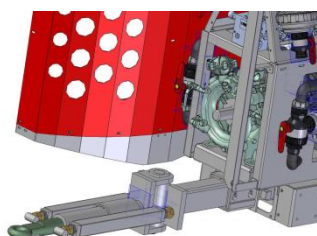
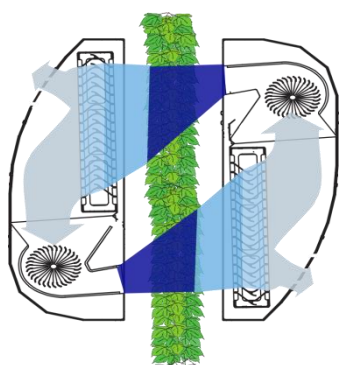
Via Cal Piccole, 25
31044 Montebelluna TV
Italy

Tel. +39 0423 601225
Fax +39 0423 603769
e-mail: info@favaro.eu



„BACCO“ ANTI-DRIFT RECOVERY SPRAYER

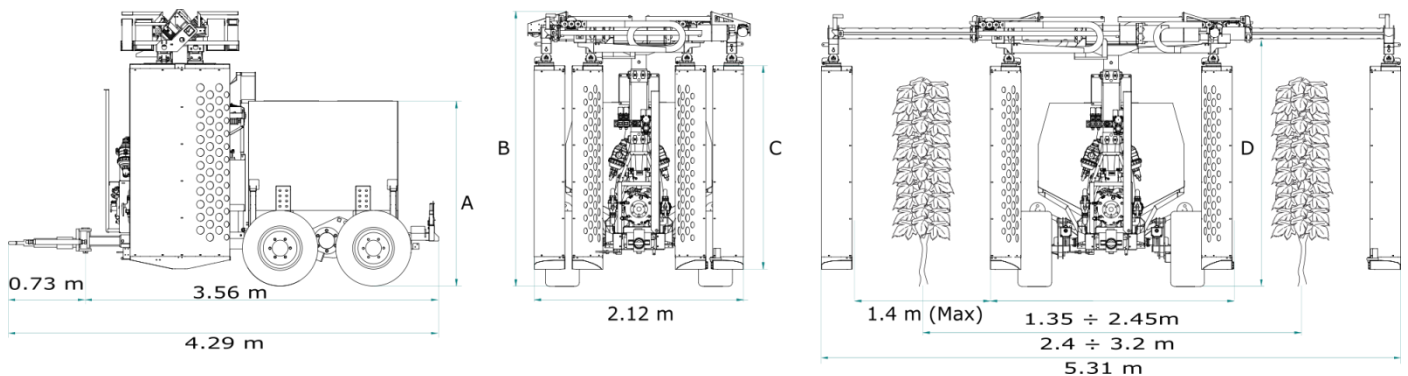
BACCO is the innovative FAVARO1937 brand ANTI-DRIFT RECOVERY SPRAYER. Designed assembled in Italy with high quality components by FOR.AGR. SRL. Now available with road homologation certificate valid in Italy and other EU countries.



Thanks to the Strong steel frame and double axle with adjustable track it is built to last. The hydraulic lifting system for the second axle makes turning extremely easy. Vertical tangential fans in whole height are powered by hydraulic drive motor. Their unique design allows for a powerful air stream with high uniformity along the leaf wall. Absolute guarantee of uniformity of air flow and capacity to recover up to 67% (in relation to the vegetative state) due to the asymmetric flows.

The recovery pump and the spraying pump have independent circuits. 2 ways electric control unit. Manual or automatic functions. Independent hydraulic system with separate oil tank and double cooling system for maximum safety.

BACCO	
TANK	1500 lt or 2000 lt in STAINLESS STEEL
PUMP	3 membranes 120 L/MIN - 40 BAR
RECOVERY PUMP	4 membranes 140 L/MIN
WASHING SYSTEM	YES
STIRRING SYSTEM	Hydrojector
MIXING BASKET	The stainless steel mixing basket doubles as a bottle washing device
TANK WASHING SYSTEM	YES
WATER CONTROL UNIT	Electrical 2 ways
FAN SYSTEM	RADIAL with variable rotation speed
SHIELDS	Drift collectors shields in Aluminum and INOX drift recovery tanks
N. NOZZLES	Up to 32 double NOZZLES
WHEELS	13.0/55-16
AXLE	Tandem system with hydraulic lifting system and width adjustment
STANDARD EQUIPMENT	Automatic rear axle lift
	Spraycontrol
	Independent hydraulic system with dedicated oil pump and tank



Model	Volume [lt]	A [m]	Version		Version		Version		Required power [kW]	Empty Weight [Kg]
			19	21	19	21	19	21		
Bacco 1500	1500	1,68	2,65	2,85	1,85	2,05	2,25	2,45	36 Kw (48CV)	2490
Bacco 2000	2000	1,84	3,25	3,45			2,85	3,05		